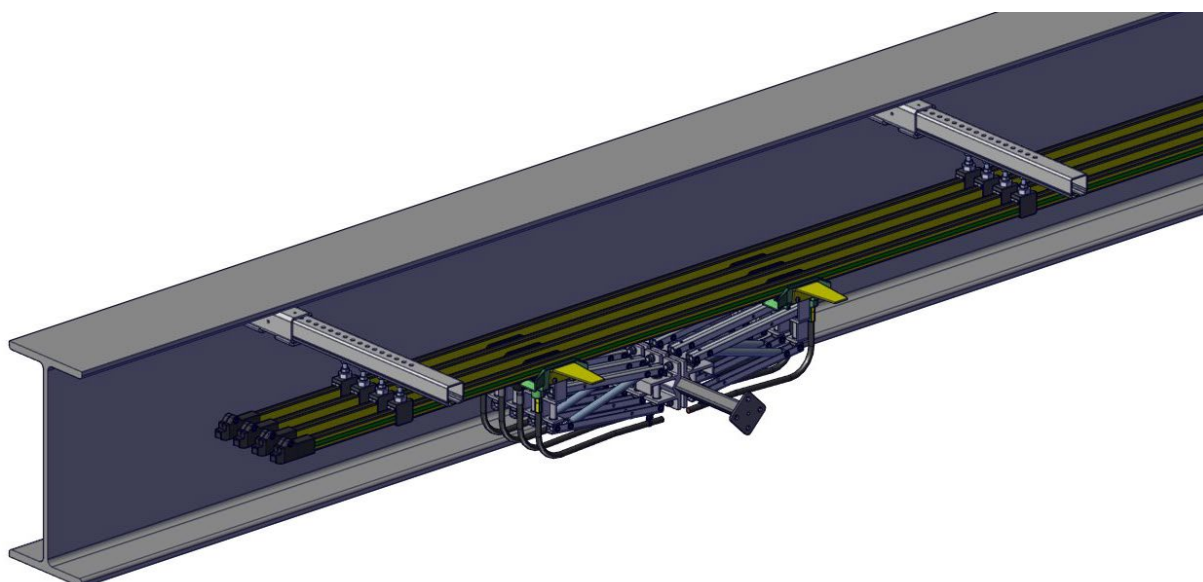




NOTICE!

The animations do not replace the Installation Instruction. Please refer also to our Technical Documentation („BAL0812-0001“and „MV0812-0017“)!

SinglePowerLine 0812 Conductor Rail System



Please click the hyperlink or scan the code to start each animation:

SinglePowerLine 0812 System Overview:

[MOV0812-0001](#)



Cutting Rail:

[MOV0812-0002](#)



Bending Rail:

[MOV0812-0003](#)



Mounting Hanger Clamps:

[MOV0812-0004](#)



Connecting Rails and Mounting Line Feed:

[MOV0812-0005](#)



Mounting Anchor Points:

[MOV0812-0006](#)



Mounting and Adjusting Expansion Unit:

[MOV0812-0007](#)



Mounting End Cap:

[MOV0812-0008](#)



Mounting the Air Gap Insulation Section:

[MOV0812-0009](#)

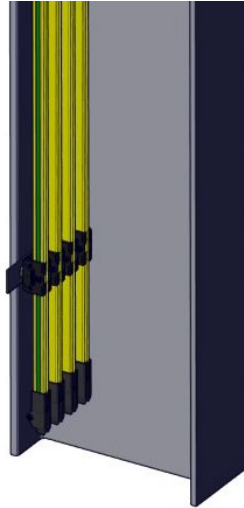


Current Collector Tolerances:

[MOV0812-0010](#)



SinglePowerLine 0812 Conductor Rail System Vertical Application



Please click the hyperlink or scan the code to start each animation:

Mounting Hanger Clamps/Anchor Points:

[MOV0812-0011](#)



Mounting Fall Arrest Device:

[MOV0812-0012](#)



Notes:

Conductix-Wampfler GmbH
Rheinstraße 27 + 33
79576 Weil am Rhein - Märkt
Germany

Phone: +49 (0) 7621 662-0
Fax: +49 (0) 7621 662-144
info.de@conductix.com
www.conductix.com



Importer for the United Kingdom:
Conductix-Wampfler Ltd.
1, Michigan Avenue
Salford
M50 2GY
United Kingdom

Phone: +44 161 8480161
Fax: +44 161 8737017
info.uk@conductix.com
www.conductix.com