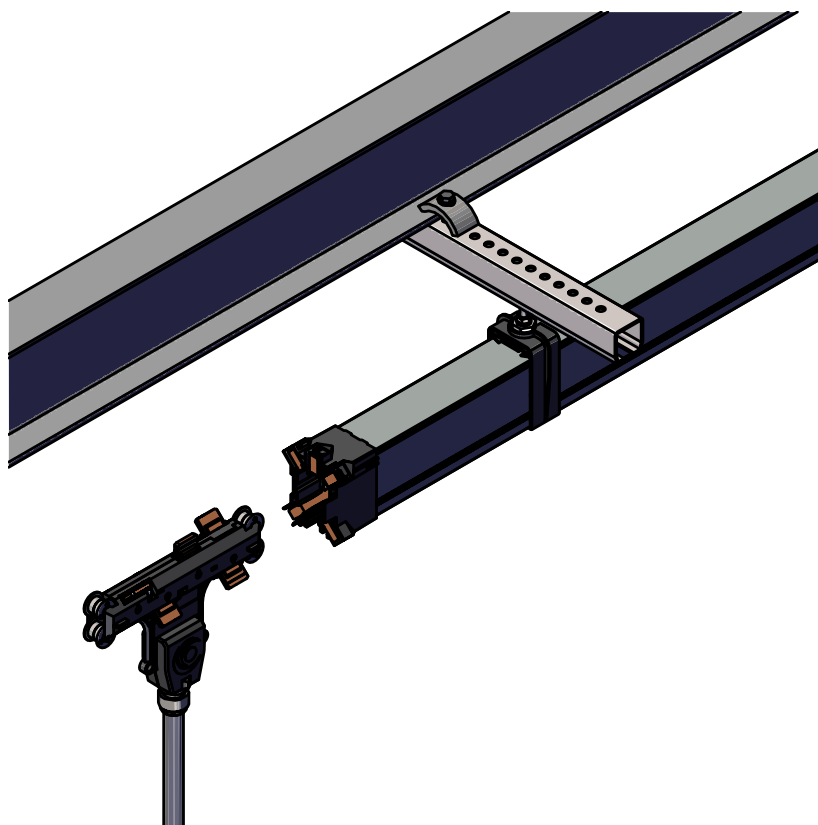




The animations do not replace the Installation Instruction. Please refer also to Technical Documentation („BAL0843-0001“)

NOTICE!

Xline 0843 Conductor Rail System



Quick Guide

Conductor Rail System Xline 0843



Please click the hyperlink or scan the code to start each animation:

System Overview Xline 0843:

[MOV0843-0001](#)



Mounting Hanger Clamps:

[MOV0843-0002](#)



Connecting Conductor Rails:

[MOV0843-0003](#)



Current Collector:

[MOV0843-0004](#)



Mounting End Cap:

[MOV0843-0005](#)



Mounting End Feed with Anchor Point:

[MOV0843-0006](#)



Current Collector to Towing Device:

[MOV0843-0008](#)



Mounting Support Arm (near-wall):

[MOV0843-0009](#)



Cutting Conductor Rails:

[MOV0843-0010](#)



Notes:

Conductix-Wampfler GmbH
Rheinstraße 27 + 33
79576 Weil am Rhein - Märkt
Germany

Phone: +49 (0) 7621 662-0
Fax: +49 (0) 7621 662-144
info.de@conductix.com
www.conductix.com